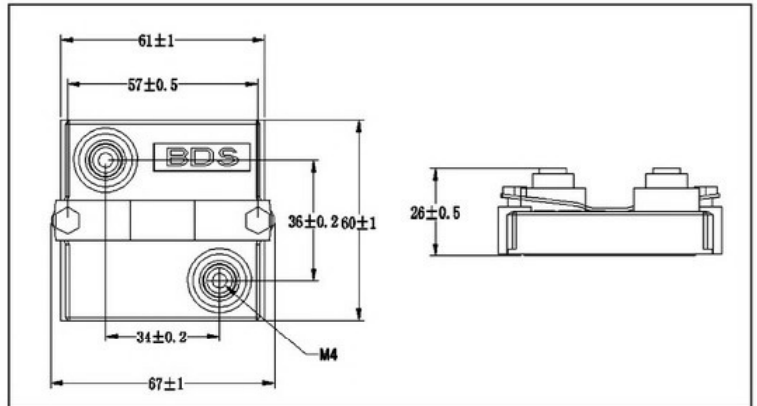


RHP600 功率型厚膜电阻器

high power thick film resistors



■ 构造图 Construction(mm)



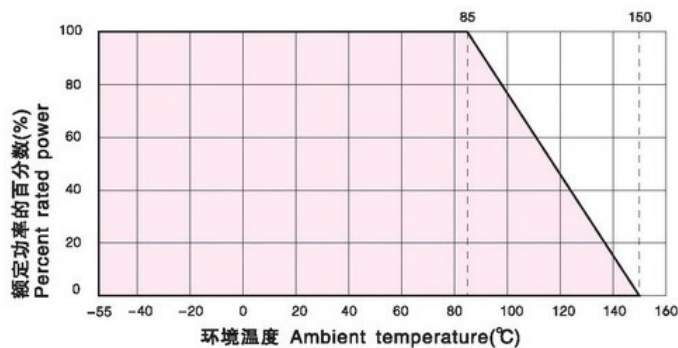
■ 产品特点 Features

- 无感设计,阻值范围宽
- 大功率(底板中心温度 $\leq 85^{\circ}\text{C}$ 时功率为600W)
- 绝缘耐压最高12KV
- 引出端安装M4螺钉最大扭矩: 2Nm
- 散热片安装M4螺钉最大扭矩: 2Nm
- 电感 $< 80\text{nH}$
- 绝缘电阻 500V, 10^4M
- Non-inductive, wide resistance range
- High power (the temp of floor center less than 85°C , the power is 600W)
- High voltage withstanding 12KV
- Contact terminal: M4 screw, Max. torque 2Nm
- Resistor installation: M4 screw, Max. torque 2Nm
- Inductance $< 80\text{nH}$
- Insulation resistance 500V, 10^4M

■ 应用范围 Applications

- 电源控制设备
- 马达控制
- 变速驱动, 变频器
- 机器人系统
- Voltage power supply control equipment
- Motor controlling
- Shift drive, Frequency Converter
- Robot system

■ 降功耗曲线 Derating Curve



RHP600 功率型厚膜电阻器

high power thick film resistors



■ 技术说明 Technical Specifications

型号 Type	额定功率 (85℃) Rating power	阻值范围 Resistance range	温度系数 TCR (10 ⁻⁴ /K)	精度 Precision	最大工作电压 Max work Voltage	耐压 Voltage Withstanding	工作温度 Working temp
RHP	600W	R<1Ω	±500	10%	5KV	6KV 12KV	-55℃-- +155℃
		1Ω<R<10Ω	±300	5%			
		10Ω<R	±150	5%			

- 所示功率需加散热器
- The condition of the above power is needed to mount a heatsink.
- 更高参数可协商供货
- Special specifications can be supplied in consultation with customers.

■ 特征参数 Performance

试验项目 TEST ITEM	性能要求 SPECIFICATIONS	试验方法 TEST METHOD GB/T5729-2003 IEC60115-1:2001
短时间过载 Short time overload	1000W, 10秒 1000W 10s $\Delta R \leq \pm (0.3\%R + 0.05\Omega)$	4.13
快速温度变化 Rapid temperature change	$\Delta R \leq \pm (0.5\%R + 0.05\Omega)$	4.19
气候顺序 Temperature cycling	$\Delta R \leq \pm (1\%R + 0.05\Omega)$	4.23
稳态湿热 Humidity (steady States)	$\Delta R \leq \pm (0.5\%R + 0.05\Omega)$	4.24
寿命 Load life	$\Delta R \leq \pm (0.5\%R + 0.05\Omega)$	4.25.2