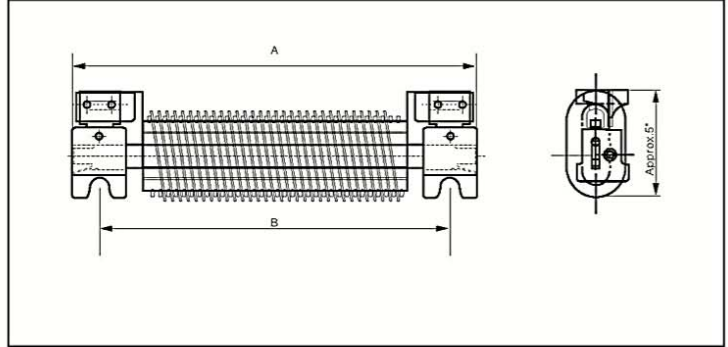




## ■ 构造图 Construction(mm)



## ■ 产品特点 Features

- 本品金属衬板与电阻体之间采用优质陶瓷作为绝缘件
- 电阻体元件采用性能极为稳定的电阻合金
- 引出端与电阻体采用电阻焊工艺
- 持续表面温升不超过350°C
- Use high quality ceramic as insulator between metal scaleboard and resistance body
- The resistance body used the extremely stable resistance alloy
- The leading out terminal and the resistance body use welding craft
- The surface temperature rise is not exceed 350°C

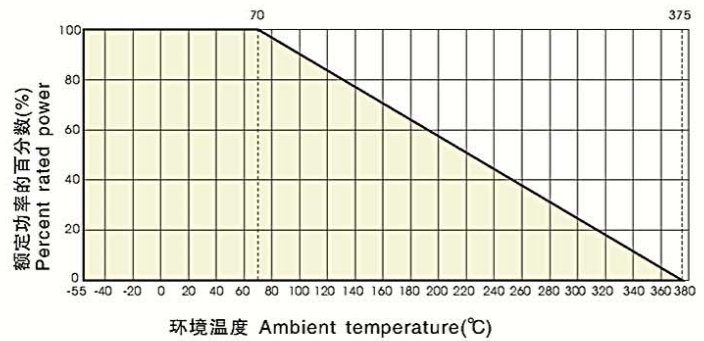
## ■ 应用范围 Applications

- 这种电阻常用于大型电机的刹车泄放电路
- 其他大功率电工、电气设备中
- It was often used in braking release electric circuit of large-scale machinery
- Other high power, electrical equipment

## ■ 执行标准 Reference Standards

Q/ATK070

## ■ 降功耗曲线 Derating Curve



## ■ 技术说明 Technical Specifications

产品型号 Type	功率 Power(W)	总长度(A)(mm) A Over-all	中心安装长度(B)(mm) B Mounting centers
KW-525	525	295.3	244.5
KW-850	850	385.7	334.9
KW-1200	1200	469.9	419.1
KW-1450	1450	555.6	504.8
KW-1750	1750	638.2	587.4

## ■ 订货示例 How to Order

例如 Example

KW	525W	3Ω	± 10%	± 250ppm	盒装
产品型号 Type	功率 Power	标称阻值 Nominal Value	精度 Tolerance	温度系数 TCR	包装方式 Packaging
KW	525W 850W 1200W 1450W 1750W	3Ω	± 10%	± 250ppm	盒装 box