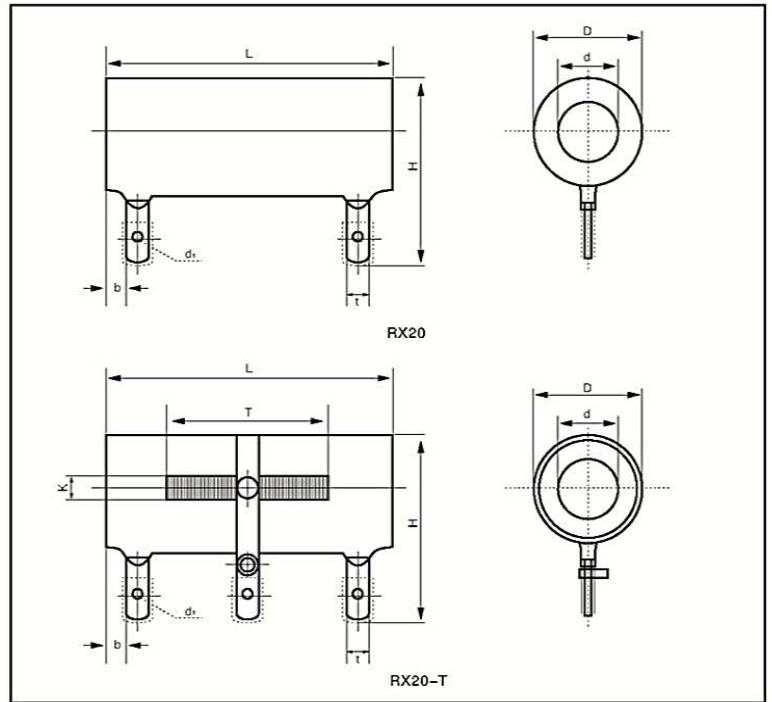




■ 构造图 Construction



■ 产品特点 Features

- 采用高温玻璃釉作为表面涂层
- 电阻体采用高温耐火瓷体或氧化铝瓷体,全焊接结构
- 高温负荷特性优良
- T系列为可调, N系列为无感
- 可提供安装套件(选购件)
- High temperature vitreous enamel as the superficial coating
- Uses the high temperature fireproof alumina porcelain body, full-welded constucture
- Excellent high temperature load performance
- T series is adjustable, N series is noninductive
- Assembly and fittings(available)

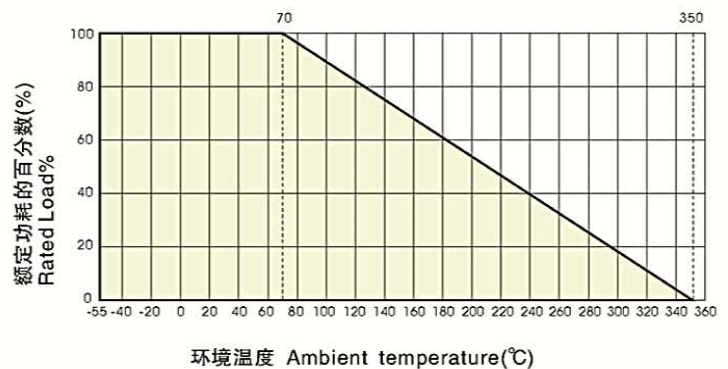
■ 应用范围 Applications

- 主要用于大型电源,电力设备,电器设备,机车等等
- Mostly used in large scale power supply electical equipment, locomotive etc

■ 执行标准 Reference Standards

Q/ATK044-2005

■ 降功耗曲线 Derating Curve



■ 订货示例 How To Order

例如 Example

| | | | | | | |
|--------------|-------------|-------------|-----------------------|-----------------|-------------|-------------------|
| RX20 | T | 25W | 100Ω | ± 5% | ± 250ppm | 盒装 |
| 产品型号 Type | 类型 Style | 功率 Power | 标称阻值 Nominal Value | 精度 Tolerance | 温度系数 TCR | 包装方式 Packaging |
| RX20 | T N | 25W 300W | 100Ω | ± 0.5% ± 10% | ± 250ppm | 盒装 box |

可协议生产400-5000W电阻器 Our factory can also produce 400-5000W non-standard resistors according to the requirement

■ 外形尺寸 Dimensions(mm)

| 额定功率 Rated Power (W) | 外形尺寸 Dimensions(mm) | | | | | | | |
|----------------------------|---------------------|----|-----|------|-----|-----|-----|----------------|
| | L | D | d | H | K | b | t | d ₁ |
| 10 | 41 | 14 | 5.5 | 28.5 | 6+2 | 3.5 | 4.5 | 2 |
| 16 | 45 | 17 | 8 | 32 | 6+2 | 3.5 | 4.5 | 2 |
| 20 | 51 | 17 | 8 | 32 | 6+2 | 3.5 | 4.5 | 2 |
| 25 | 51 | 21 | 12 | 35 | 6+2 | 3.5 | 4.5 | 2 |
| 30 | 71 | 21 | 12 | 35 | 6+2 | 3.5 | 4.5 | 2 |
| 40 | 87 | 21 | 12 | 35 | 6+2 | 3.5 | 4.5 | 2 |
| 50 | 91 | 29 | 20 | 43 | 7+2 | 4.5 | 6 | 3.2 |
| 75 | 140 | 29 | 20 | 43 | 7+2 | 4.5 | 6 | 3.2 |
| 100 | 170 | 29 | 20 | 43 | 7+2 | 4.5 | 6 | 3.2 |
| 150 | 216 | 29 | 20 | 46 | 7+2 | 6 | 10 | 5 |
| 200 | 267 | 29 | 20 | 46 | 7+2 | 6 | 10 | 5 |
| 300 | 267 | 34 | 20 | 50 | 7+2 | 6 | 10 | 5 |

■ 技术说明 Technical Specifications

| 额定功率 Rated Power (W) | 阻值范围 Resistance Range(Ω) | | 温度系数 TCR (ppm/°C) | 精度 Tolerance | 使用温度范围 Operating Temp.range |
|----------------------------|--------------------------|---------|-------------------------|-----------------|-----------------------------------|
| | RX20T | RX20 | | | |
| 10 | 5.1~100 | 5.1~10K | ±250 | ±5% ±10% | -55°C~+350°C |
| 16 | 5.1~150 | 5.1~15K | | | |
| 20 | 5.1~200 | 20~20K | | | |
| 25 | 10~300 | 10~24K | | | |
| 30 | 10~500 | 10~30K | | | |
| 40 | 20~600 | 20~51K | | | |
| 50 | 20~1K | 20~51K | | | |
| 75 | 20~1.5K | 24~56K | | | |
| 100 | 24~2K | 24~62K | | | |
| 150 | 27~3K | 27~100K | | | |
| 200 | 27~5K | 27~110K | | | |
| 300 | 30~6K | 30~120K | | | |