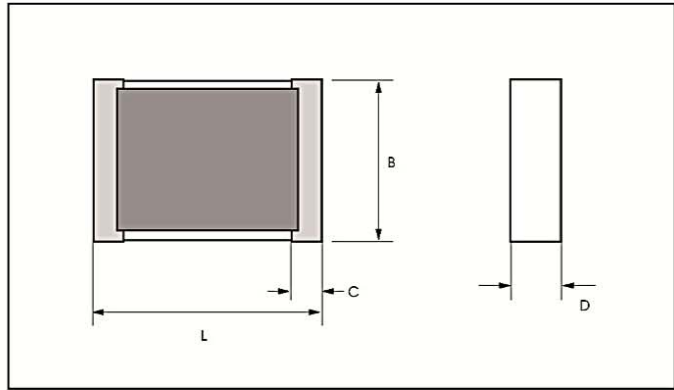


■ 构造图 Construction



■ 产品特点 Features

- 厚膜片式电阻器
- 端头镀镍/锡
- 高频型采用喷气调阻
- 未刻槽改善额定脉冲功率
- Chip resistors in thick film
- Contact areas Nickel-barrier/tinned
- RF-versions with air-abrasive trimming
- Improved pulse power rating untrimmed

■ 应用范围 Applications

- 电脑
- 移动通信
- 仪器仪表
- 各类电子设备
- Computers
- Telecom and wireless
- Meters and instruments
- Electrical devices

■ 执行标准 Reference Standards

Q/DRT004—2009

■ 外形尺寸 Dimensions(mm)

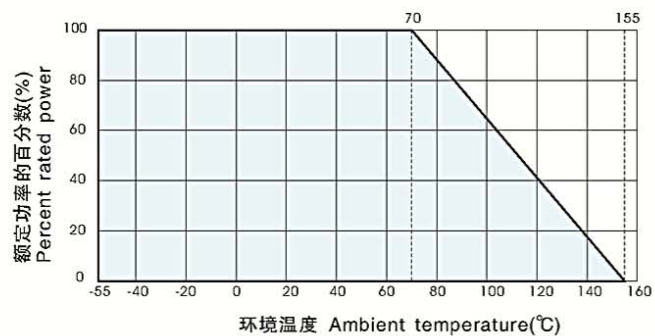
型号 Type	L	B	D	C
1210	3.2 ^{+0.2/-0.05}	2.5 ^{+0.2/-0.05}	0.5 ^{+0.2/-0.1}	0.8 ^{±0.2}
1216	3.2 ^{+0.2/-0.05}	4.1 ^{+0.2/-0.05}	0.5 ^{+0.2/-0.1}	0.8 ^{+0.2}
2010	5.1 ^{+0.2/-0.05}	2.5 ^{+0.2/-0.05}	0.6 ^{+0.2/-0.1}	1.2 ^{+0.2}
2040	5.1 ^{+0.2/-0.05}	10.2 ^{+0.2/-0.05}	0.6 ^{+0.2/-0.1}	1.2 ^{+0.2}
2512	6.3 ^{+0.2/-0.05}	3.5 ^{+0.2/-0.05}	0.6 ^{+0.2/-0.1}	0.9 ^{+0.2}
4020	10.2 ^{+0.2}	5.1 ^{+0.2}	0.6 ^{+0.2/-0.1}	0.9 ^{+0.2}

L=长度, B=宽度, D=厚度, C=包围电极宽度(mm)

L=Length, B=Width, D=Thickness,

C=Width of wraparound (in mm)

■ 降功耗曲线 Derating Curve



■ 技术说明 Technical Specifications

型号 Type	额定功率 $P_{70}(W)^1$ Power rating $P_{70}(W)^1$	工作电压(V) Working voltage(V)		阻值范围/精度、温度系数 ²⁾ Resistance ranges/Tolerances/TCR(PPM/°C) ²⁾			
		刻槽 trimmed	未刻槽 untrimmed	0.1R~1R	1R~100R	100R~100K	100K~100M
1210	0.35	200	600	TC250 5/10/20%	TC100/250 1/.../20%	TC50/100 1/.../20%	TC50/100 1/.../20%
1216	0.5	200	600	TC250 5/10/20%	TC100/250 1/.../20%	TC50/100 1/.../20%	TC50/100 1/.../20%
2010	0.5	250	900	TC250 5/10/20%	TC100/250 1/.../20%	TC50/100 1/.../20%	TC25/50/100 1/.../20%
2040	1.5	250	900	TC250 5/10/20%	TC100/250 1/.../20%	TC50/100 1/.../20%	TC25/50/100 1/.../20%
2512(M)	1.0	300(1000)	1200(2000)	TC250 5/10/20%	TC100/250 1/.../20%	TC50/100 0.5/.../20%	TC25/50/100 1/.../20%
4020(M)	1.5	500(4000)	1500(6000)	TC250 5/10/20%	TC100/250 1/.../20%	TC50/100 0.5/.../20%	TC25/50/100 1/.../20%

¹⁾如果想获得持续的功率耗散, 焊接区域的面积应能保证足够的热传导。

¹⁾At continuous power dissipation the dimensions of solder-pads have to secure sufficient heat-conduction.

²⁾温度系数25/50: 温度范围+25°C~+125°C

²⁾TC25/50: Temperature range +25°C~+125°C

零欧姆跨接线: < 50mΩ, 温度系数最大+4000PPM/°C;
2512及4020尺寸功率型厚膜片式电阻独有M型耐电结构设计;
更高的功率、其它尺寸和技术条件可按需要生产。

Zero-Ohm-Jumper: < 50mΩ TCR max. +4000PPM/°C

M at 2512/4020: Meander structure with higher working voltage in bracket.
Higher power dissipation, other sizes and specifications on request.

■ 性能指标 Performance

温度范围 Temperature range	气候类别按IEC60068 Climatic category acc.to IEC 60068	可焊性按IEC60068-2-58 Solderability acc.IEC60068-2-58	耐焊接热按IEC60068-2-58 Max.Soldering temperature acc.IEC60068-2-58
-55°C~155°C	55/155/56	235°C 2s	260°C 10s

长期稳定性 Long term stability	高温贮存125°C/1000h Storage 125°C/1000h	高温贮存155°C/1000h Storage 155°C/1000h	负荷 $P_{70}/70°C/1000h$ Load $P_{70}/70°C/1000h$	短时间过负荷 Short term overload	稳态湿热(56d/40°C/96%) Damp heat(56d/40°C/96%)
10R~100M	< 0.5%	< 1%	< 1%	< 0.25%	< 0.5%
< 10R	< 1%	< 2%	< 2%	< 0.5%	< 1%

未列特性按CECC40401-802

Data not specified according to CECC40401-802

■ 订货示例 How To Order

例如 Example

CRW	1210	0.35W	100KΩ	±5%	±100PPM	编带/袋装
产品型号 Type	类型 Style	功率 Power	标称阻值 Nominal Value	精度 Tolerance	温度系数 TCR	包装方式 Packaging
CRW	1216 2010 2040 2512 4020	0.35W 0.5W 1.0W 1.5W	100KΩ	±0.5% ±1% ±5% ±10% ±20%	±50PPM ±100PPM ±250PPM	编带 tape 袋装 bag

如果对温度系数和包装方式无要求, 将按标志温度系数提供(表中最大值), 包装是散装;

If no requirements for TCR and taping, the standard TCR (highest value in table) will be supplied and packaging is bulk.